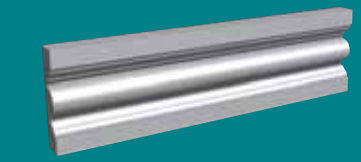


FYPON®

MOULDINGS



PRODUCT CATALOG 



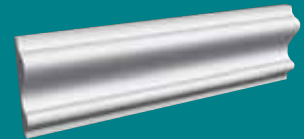
Window and Door Casing



Dentil Moulding



Egg and Dart Moulding



Chair Rail Moulding

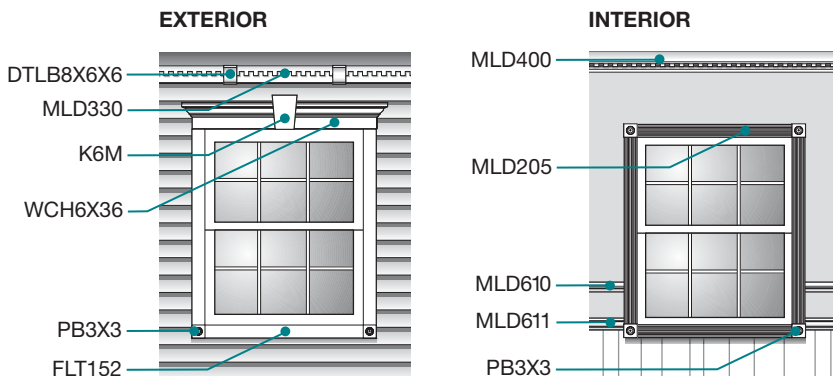


Interior Moulding



BREAK THE MOULD.

Take the ordinary and make it magnificent with over 100 styles of moulding. From Massive Cornice Mouldings and Dentil profiles to delicate Florentine Trim and Chair Rails, authentic architectural styles are captured in rich detail. And Fypon® mouldings are perfect for both interior and exterior applications as well as new construction and renovation projects. For the ultimate in easy installation, Fypon Miterless Crown Moulding Systems eliminate the need to figure complex corner calculations. Although all Fypon mouldings are finished in pre-primed white, some styles are moulded with a woodgrain texture and color, ready to paint or stain. These Woodgrain/Stainable products are designated by an **S** after the part number. Whether you want a simple, elegant design, or something more elaborate, a variety of styles, sizes and combinations allows you to create a look like no other. For installation instructions, refer to the back of the comprehensive, full-line product catalog or visit www.fypon.com.






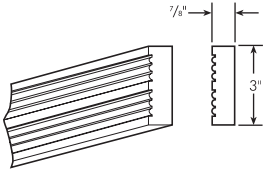

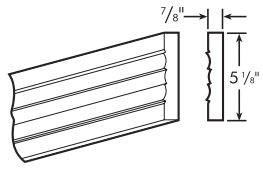
HOW TO ORDER MOULDINGS AND ACCESSORIES.

Use the following pages as fuel for your imagination. The large variety of styles and sizes can be applied to the interior or exterior of a building. The mouldings can be used individually or combined to create a new and distinctive look.

MOULDING ACCESSORIES



SAMPLE CHART

Moulding					UNATTACHED ACCESSORIES				
		DIMENSIONS							
Part Number		Projection	Width	Length	Design Repeat	Plinth Block/ Rosette (Page 62 ML)	Keystone (Page 63 ML, 64 ML)	Moulding Match	
MLD205-8 Door/Window			7/8"	3"	8'	NONE	PB3X3 PB4X4	—	—
MLD205-12 Door/Window			7/8"	3"	12'	NONE	PB3X3 PB4X4	—	—
MLD210-8 Door/Window			7/8"	5 1/8"	8'	NONE	PB5X5 PB6X6	—	—

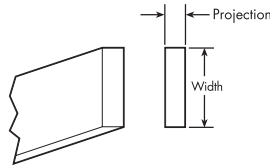
As shown in the examples below, the first three letters in the item number are the product description. The moulding style appears next as designated by three numbers. Following the dash after the style number is the moulding length in feet.

MLD 226 - 10
 Moulding Style Number Length in Feet

FLT 152 - 12
 Flat Trim Style Number Length in Feet


IMPORTANT: A urethane base adhesive such as PL Premium® Adhesive must be used on all joints. See page 6 to order PL Premium Adhesive. For more information, refer to comparison chart on page 7.

IMPORTANT: A urethane base adhesive such as PL Premium Adhesive must be used on all joints. See page 6 to order PL Premium Adhesive. For more information, refer to comparison chart on page 7.



Flat Trim Moulding

UNATTACHED ACCESSORIES

Part Number	DIMENSIONS			Arch Moulding Match (Pages 30 WD - 33 WD)	Plinth Block/ Rosette (Page 62 ML)
	Projection	Width	Length		
FLT100-12	5/8"	4 3/4"	12'	—	—
FLT101-12	3/4"	1 1/2"	12'	—	—
FLT102-8	3/4"	2 1/8"	8'	—	—
FLT102-10	3/4"	2 1/8"	10'	—	—
FLT103-12	3/4"	3"	12'	—	PB3X3 PB4X4
FLT109-12	3/4"	6"	12'	—	—
FLT110-16	3/4"	5 1/2"	16'	—	—
FLT113-8	3/4"	8"	8'	—	—
FLT118-8	3/4"	10"	8'	—	—
FLT119-17	1"	32 1/4"	16' 11"	—	—
FLT120-8	7/8"	6"	8'	—	—
 FLT120-8S	7/8"	6"	8'	—	—
FLT122-16	3/4"	3 1/2"	16'	—	—
FLT123-8	1"	48"	8'	—	—
FLT124-16	1"	1"	16'	—	—
FLT125-8	1"	36"	8'	—	—
FLT131-16	1/2"	3"	16'	—	—
FLT152-8	1"	3 1/2"	8'	4F	—
FLT152-12	1"	3 1/2"	12'	4F	—
FLT152-16	1"	3 1/2"	16'	4F	—
FLT153-12	1"	4"	12'	—	—
FLT159-8	1"	5 1/2"	8'	6F	PB6X6

Flat Trim Moulding (continued)

UNATTACHED ACCESSORIES

Part Number	DIMENSIONS			Arch Moulding Match (Pages 30 WD - 33 WD)	Plinth Block/ Rosette (Page 62 ML)
	Projection	Width	Length		
FLT159-12	1"	5 1/2"	12'	6F	PB6X6
FLT159-16	1"	5 1/2"	16'	6F	PB6X6
FLT162-6	1"	7 1/2"	6'	8F	—
FLT162-8	1"	7 1/2"	8'	8F	—
FLT162-14	1"	7 1/2"	14'	8F	—
FLT163-16	1 1/2"	7 1/2"	16'	—	—
FLT170-12	1"	9 1/2"	12'	—	—
FLT170-16	1"	9 1/2"	16'	—	—
FLT172-16	1"	11 1/2"	16'	—	—
FLT175-8	1"	12"	8'	—	—
FLT175-12	1"	12"	12'	—	—
FLT177-8	1/2"	1"	8'	—	—
FLT178-8	1/2"	14"	8'	—	—
FLT179-12	1"	16"	12'	—	—
FLT180-12	1"	24"	12'	—	—
FLT181-8	5/8"	24"	8'	—	—
FLT182-12	1 1/2"	12 1/4"	12'	—	—
FLT183-12	1 1/2"	5 1/2"	12'	—	—
FLT183-16	1 1/2"	5 1/2"	16'	—	—
FLT184-16	1 1/2"	1 1/2"	16'	—	—
FLT185-12	1 1/2"	16 1/2"	12'	—	—

CHART CONTINUED ON FOLLOWING PAGE.

IMPORTANT: A urethane base adhesive such as PL Premium Adhesive must be used on all joints. See page 6 to order PL Premium Adhesive. For more information, refer to comparison chart on page 7.

Flat Trim Moulding (continued)



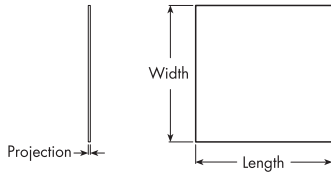
UNATTACHED ACCESSORIES

DIMENSIONS

See Window and Door Trim Section/Catalog



Part Number	Projection	Width	Length	Arch Moulding Match (Pages 30 WD - 33 WD)	Plinth Block/ Rosette (Page 62 ML)
FLT186-16	3/4"	7 1/4"	16'	—	—
FLT187-16	3/4"	7 1/2"	16'	—	—
FLT188-16	3/4"	5 1/4"	16'	—	—
FLT190-12	2"	4"	12'	—	—
FLT193-6	1 1/2"	14 1/2"	6'	—	—
FLT194-10	1 1/2"	3 1/2"	10'	—	—
FLT200-10	1 13/16"	5 3/4"	10'	—	—



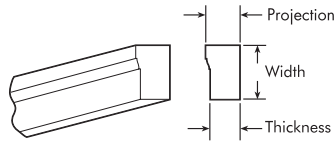
Flat Panel

DIMENSIONS

Part Number	Projection	Width	Length
FLT40X96	1"	40"	96"
WDP48X73F	1 1/8"	48"	73"
FLT50X50	3/4"	50"	50"
WDP88X55F	1 1/8"	88"	55"



Indicates Woodgrain/Stainable Products

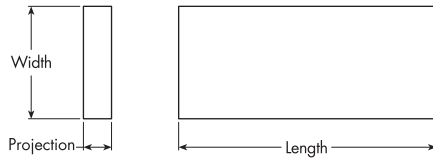
IMPORTANT: A urethane base adhesive such as PL Premium Adhesive must be used on all joints. See page 6 to order PL Premium Adhesive. For more information, refer to comparison chart on page 7.



Moulding - Brickmould Trim


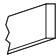
UNATTACHED ACCESSORIES

Part Number	DIMENSIONS					 See Window and Door Trim Section/Catalog
	Projection	Width	Thickness	Length	Keystone (Page 63 ML)	Arch Trim Match (Page 34 WD)
MLDWM180-8	1 1/4"	2"	1 1/16"	8'	KWM180M	—
MLDWM180-16	1 1/4"	2"	1 1/16"	16'	KWM180M	—
MLDWM181-16	13/16"	2"	5/8"	16'	—	ARWM181
MLDWM182-12	1 1/4"	3"	1 1/16"	12'	—	—
MLDWM183-16	1 1/2"	2 1/8"	1 1/4"	16'	—	—



R4Board - Insulating Flat Trim Moulding

UNATTACHED ACCESSORIES

Part Number	DIMENSIONS				
	Projection	Width	Length	Plinth Block (Page 62 ML)	Flat Trim Match (Pages 3 ML)
R4153	1"	4"	12'	—	FLT153
R4159	1"	5 1/2"	12'	PB6X6	FLT159
R4162	1"	7 1/2"	14'	—	FLT162
R4170	1"	9 1/2"	12'	—	FLT170
R4175	1"	12"	12'	—	FLT175

IMPORTANT: A urethane base adhesive such as PL Premium Adhesive must be used on all joints. See page 6 to order PL Premium Adhesive. For more information, refer to comparison chart on page 7.

Moulding

UNATTACHED ACCESSORIES


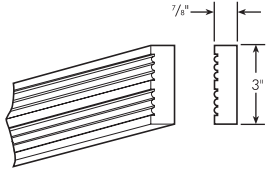
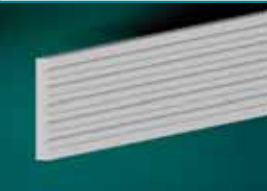
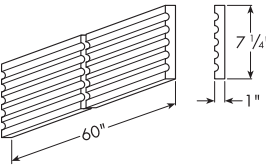

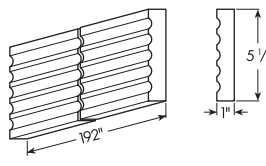

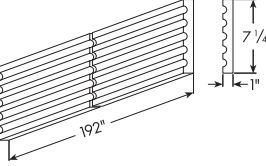

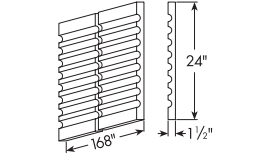

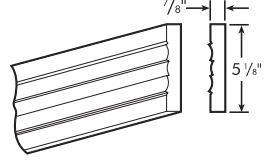
Part Number	Image	Diagram	DIMENSIONS				Design Repeat	Plinth Block/ Rosette (Pages 62 ML)	Keystone (Pages 63ML- 64ML)	Matching Accessories
			Projection	Width	Length					
MLD205-8 Door/Window			7/8"	3"	8'	NONE	PB3X3 PB4X4	—	—	
MLD205-12 Door/Window			7/8"	3"	12'	NONE	PB3X3 PB4X4	—	—	
MLD206-5			1"	7 1/4"	5'	NONE	—	—	—	
MLD207-16 Fluted Casing			1"	5 1/4"	16'	NONE	PB6X6	—	—	
MLD208-16 Fluted Casing			1"	7 1/4"	16'	NONE	—	—	—	
MLD209-14 Fluted Casing			1 1/2"	24"	14'	NONE	—	—	—	
MLD210-8 Door/Window			7/8"	5 1/8"	8'	NONE	PB5X5 PB6X6	—	—	
MLD210-10 Door/Window			7/8"	5 1/8"	10'	NONE	PB5X5 PB6X6	—	—	

CHART CONTINUED ON FOLLOWING PAGE.

IMPORTANT: A urethane base adhesive such as PL Premium Adhesive must be used on all joints. See page 6 to order PL Premium Adhesive. For more information, refer to comparison chart on page 7.

Moulding (continued)

UNATTACHED ACCESSORIES

Part Number	Image	Diagram	DIMENSIONS				Design Repeat	Plinth Block/ Rosette (Pages 62 ML)	Keystone (Pages 63ML - 64ML)	Matching Accessories
			Projection	Width	Length					
MLDR210-8 (Rosette) PB5X5 Plinth Block/ Rosette. Moulded in on one end.			7/8"	5 3/8"	8'	NONE	PB5X5 PB6X6	—	—	
MLDR211-8 (Rosette) PB5X5 Plinth Block/ Rosette. Moulded in on one end.			3/4"	5 1/8"	8'	NONE	PB5X5 PB6X6	—	MLD211-16 (Page 6 ML)	
MLD211-16 Door/Window			3/4"	5 1/8"	16'	NONE	PB5X5 PB6X6	—	—	
MLD214-12 Door/Window			2"	2 7/8"	12'	NONE	—	—	—	
MLD215-12 Door/Window			1 3/4"	3 1/2"	12'	NONE	PB215	K4TM	Matches All 4M Decorative Arches See Window and Door Trim Section/Catalog (Pages 25 WD, 30 WD, 31 WD)	
MLD220-12 Door/Window			1 3/4"	5 1/2"	12'	NONE	PB220	K6TM	Matches All 6M Decorative Arches See Window and Door Trim Section/Catalog (Pages 26 WD, 30 WD, 32 WD)	
MLD220-16 Door/Window			1 3/4"	5 1/2"	16'	NONE	PB220	K6TM		

CHART CONTINUED ON FOLLOWING PAGE.

IMPORTANT: A urethane base adhesive such as PL Premium Adhesive must be used on all joints. See page 6 to order PL Premium Adhesive. For more information, refer to comparison chart on page 7.

Moulding (continued)

UNATTACHED ACCESSORIES

Part Number	Image	Diagram	DIMENSIONS				Design Repeat	Plinth Block/Rosette (Pages 62 ML)	Keystone (Pages 63ML- 64ML)	Matching Accessories
			Projection	Width	Length					
MLD221-8 Door/Window			1 3/4"	7"	8'	NONE	—	K221M	Door/ Window Crossette Trim Match See Window and Door Trim Section/Catalog (Page 35 WD)	
MLD221-16 Door/Window			1 3/4"	7"	16'	NONE	—	K221M		
MLD222-16 Door/Window			2"	7"	16'	NONE	—	—	—	
MLD223-16 Door/Window			2 1/2"	14 1/2"	16'	NONE	—	—	—	
MLD224-12 Door/Window			1 1/2"	5 1/2"	12'	NONE	—	—	—	
MLD225-12 Door/Window			1 1/2"	8 1/2"	12'	NONE	—	—	—	

CHART CONTINUED ON FOLLOWING PAGE.

IMPORTANT: A urethane base adhesive such as PL Premium Adhesive must be used on all joints. See page 6 to order PL Premium Adhesive. For more information, refer to comparison chart on page 7.

Moulding (continued)

UNATTACHED ACCESSORIES

Part Number	Image	Diagram	DIMENSIONS				Design Repeat	Plinth Block/ Rosette (Pages 62 ML)	Keystone (Pages 64ML)	Matching Accessories
			Projection	Width	Length					
MLD226-8 Door/Window			1 1/2"	5 1/2"	8'	NONE	—	K226M	—	
MLD226-10 Door/Window			1 1/2"	5 1/2"	10'	NONE	—	K226M	—	
MLD226-12 Door/Window			1 1/2"	5 1/2"	12'	NONE	—	K226M	—	
MLD226-16 Door/Window			1 1/2"	5 1/2"	16'	NONE	—	K226M	—	
MLD227-16 Door/Window			1 1/2"	9"	16'	NONE	—	K227M	—	
MLD228-8 Door/Window			2"	6 3/8"	8'	NONE	—	—	—	
MLD228-16 Door/Window			2"	6 3/8"	16'	NONE	—	—	—	
MLD229-10 Door/Window			1 9/16"	7 7/8"	10'	NONE	—	—	—	
MLD230-16 Door/Window			3/4"	3 1/4"	16'	NONE	PB4X4	—	—	

CHART CONTINUED ON FOLLOWING PAGE.

IMPORTANT: A urethane base adhesive such as PL Premium Adhesive must be used on all joints. See page 6 to order PL Premium Adhesive. For more information, refer to comparison chart on page 7.

Moulding (continued)

UNATTACHED ACCESSORIES

Part Number	Image	Diagram	DIMENSIONS				Design Repeat	UNATTACHED ACCESSORIES		
			Projection	Width	Length	Plinth Block/ Rosette (Pages 62ML- 63ML)		Keystone (Pages 63ML- 64ML)	Matching Accessories	
MLD231-12 Casing			1"	3/4"	12'	NONE	—	—	—	
MLD232-16 Door/Window			1 9/16"	7 7/8"	16'	NONE	—	—	—	
MLD233-12			2 1/4"	7"	12'	NONE	—	—	—	
MLD234-16 Door/Window			1"	3 1/2"	16'	NONE	PB4X4	—	—	
MLD235-16 Door/Window			7/8"	3 1/4"	16'	NONE	PB4X4	—	—	
MLD236-16 Casing			2"	5 1/2"	16'	NONE	PB220	—	—	
MLD237-16 Window/Door			1 1/8"	3 1/2"	16'	NONE	PB215	—	—	

CHART CONTINUED ON FOLLOWING PAGE.

IMPORTANT: A urethane base adhesive such as PL Premium Adhesive must be used on all joints. See page 6 to order PL Premium Adhesive. For more information, refer to comparison chart on page 7.

Moulding (continued)

UNATTACHED ACCESSORIES

Part Number	Image	Diagram	DIMENSIONS				Design Repeat	Plinth Block/ Rosette (Pages 62 ML)	Keystone (Pages 63ML - 64ML)	Matching Accessories
			Projection	Width	Length					
MLD239-16			3/4"	3"	16'	NONE	PB3X3	—	—	
MLD240-8 Cornice			3 1/4"	4"	8'	NONE	—	—	DTLB6X4X6 See Decorative Millwork Section/Catalog (Page 19 DM)	
MLD241-16 Window/Door Casing			1 5/8"	4 5/8"	16'	NONE	—	—	—	
MLD242-16 Window/Door Casing			1 1/8"	5"	16'	NONE	PB6X6	—	—	
MLD243-16 Window/Door Casing			1 1/8"	6 3/8"	16'	NONE	—	—	—	
MLD244-12 Door/Window			1 5/8"	5 5/8"	12'	NONE	—	—	—	
MLD245-12 Door/Window			1 5/8"	8 13/16"	12'	NONE	—	—	—	

CHART CONTINUED ON FOLLOWING PAGE.

Indicates Woodgrain/Stainable Products

IMPORTANT: A urethane base adhesive such as PL Premium Adhesive must be used on all joints. See page 6 to order PL Premium Adhesive. For more information, refer to comparison chart on page 7.

Moulding (continued)

UNATTACHED ACCESSORIES

Part Number	Image	Diagram	DIMENSIONS				Design Repeat	Plinth Block/ Rosette (Pages 62 ML)	Keystone (Pages 63ML- 64ML)	Matching Accessories
			Projection	Width	Length					
MLD246-16 Fascia			3 3/8"	9 1/8"	16'	NONE	—	—	—	
MLD247-16 Base Board with Cap			1 3/8"	8 11/16"	16'	NONE	—	—	—	
MLD248-16 Door/Window			1 1/16"	6 1/8"	16'	NONE	—	—	—	
MLD250-8 Door/Window			1 3/4"	4 1/2"	8'	NONE	—	—	DTLB6X4X6 See Decorative Millwork Section/Catalog (Page 19 DM)	
MLD250-10 Door/Window			1 3/4"	4 1/2"	10'	NONE	—	—		
MLD250-12 Door/Window			1 3/4"	4 1/2"	12'	NONE	—	—		
MLD251-12 Beaded			7/8"	6"	12'	NONE	—	—	—	
MLD252-14 Beaded			7/8"	7 1/2"	14'	NONE	—	—	—	

CHART CONTINUED ON FOLLOWING PAGE.

IMPORTANT: A urethane base adhesive such as PL Premium Adhesive must be used on all joints. See page 6 to order PL Premium Adhesive. For more information, refer to comparison chart on page 7.

Moulding (continued)

UNATTACHED ACCESSORIES

Part Number	Image	Diagram	DIMENSIONS				Design Repeat	Plinth Block/ Rosette (Pages 62 ML)	Keystone (Pages 63ML - 64ML)	Matching Accessories
			Projection	Width	Length					
MLD253-16 Crown Fascia			2 3/8"	7 5/8"	16'	NONE	—	—	—	
MLD270-10 Door/Window			1 1/4"	5 5/8"	10'	NONE	—	—	—	

Moulding

Part Number	Image	Diagram	DIMENSIONS				
			Projection	Width	Tooth and Space	Length	Design Repeat
MLD303-5 Small Dentil			5/8"	1 1/4"	3/4"	5'	1 1/2"
MLD304-5 Small Dentil			5/8"	1 1/4"	1 1/4"	5'	2 1/2"
MLD304-8 Small Dentil			5/8"	1 1/4"	1 1/4"	8'	2 1/2"

IMPORTANT: A urethane base adhesive such as PL Premium Adhesive must be used on all joints. See page 6 to order PL Premium Adhesive. For more information, refer to comparison chart on page 7.

Moulding

UNATTACHED ACCESSORIES


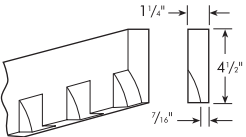


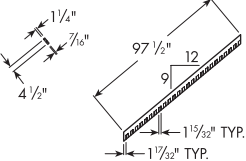

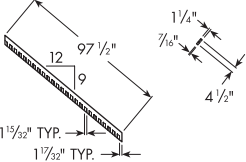

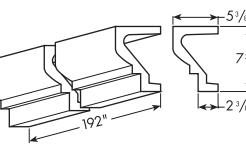
		DIMENSIONS						See Decorative Millwork Section/Catalog		
Part Number		Projection	Width	Tooth and Space	Length	Design Repeat	Pitch	Dentil Block	Moulding Match	
MLD310-8 Classic Dentil			1 1/4"	4 1/2"	1 1/2"	8'	3"	—	DTLB6X4X6  (Page 19 DM)	MLD310-LP9 MLD310-LP10 MLD310-LP12 MLD310-RP9 MLD310-RP10 MLD310-RP12
MLD310-12 Classic Dentil		1 1/4"	4 1/2"	1 1/2"	12'	3"	—		—	
MLD310-16 Classic Dentil		1 1/4"	4 1/2"	1 1/2"	16'	3"	—		—	
MLD310-LP9 Dentil Left Pitch			1 1/4"	4 1/2"	1 17/32" Tooth/ 1 15/32" Space	8' 1/8"	3"	9/12	—	MLD310
MLD310-LP10 Dentil Left Pitch		1 1/4"	4 1/2"	1 17/32" Tooth/ 1 15/32" Space	8' 1/8"	3"	10/12	—	MLD310	
MLD310-LP12 Dentil Left Pitch		1 1/4"	4 1/2"	1 17/32" Tooth/ 1 15/32" Space	8' 1/8"	3"	12/12	—	MLD310	
MLD310-RP9 Dentil Right Pitch			1 1/4"	4 1/2"	1 17/32" Tooth/ 1 15/32" Space	8' 1/8"	3"	9/12	—	MLD310
MLD310-RP10 Dentil Right Pitch		1 1/4"	4 1/2"	1 17/32" Tooth/ 1 15/32" Space	8' 1/8"	3"	10/12	—	MLD310	
MLD310-RP12 Dentil Right Pitch		1 1/4"	4 1/2"	1 17/32" Tooth/ 1 15/32" Space	8' 1/8"	3"	12/12	—	MLD310	
MLD311-16 Fascia			5 3/8"	7 3/4"	—	16'	NONE	—	—	

CHART CONTINUED ON FOLLOWING PAGE.

 Indicates Woodgrain/Stainable Products

IMPORTANT: A urethane base adhesive such as PL Premium Adhesive must be used on all joints. See page 6 to order PL Premium Adhesive. For more information, refer to comparison chart on page 7.

Moulding (continued)

**UNATTACHED
ACCESSORIES**

Part Number	Image	Diagram	DIMENSIONS						See Decorative Millwork Section/Catalog	Moulding Match
			Projection	Width	Tooth and Space	Length	Design Repeat	Pitch		
MLD312-16 Fascia			6 1/2"	7 5/8"	—	16'	NONE	—	—	
MLD313-8 Dentil			2 1/4"	2 3/8"	1"	8'	2"	—	—	
MLD320-8 Classic Dentil			1 5/8"	5 3/4"	2 1/4"	8'	4 1/2"	—	Left Pitch Application MLD320-LP10, MLD320-LP12 Right Pitch Application MLD320-RP10, MLD320-RP12 (Page 15 ML)	
MLD320-12 Classic Dentil			1 5/8"	5 3/4"	2 1/4"	12'	4 1/2"	—		
MLD320-16 Classic Dentil			1 5/8"	5 3/4"	2 1/4"	16' 1 1/2"	4 1/2"	—		
MLD320-LP10 Classic Dentil			1 5/8"	5 3/4"	1 1/8"	8'	4 1/2"	10/12	—	MLD320 (Page 15 ML)
MLD320-LP12 Dentil Left Pitch			1 5/8"	5 3/4"	1 1/8"	12' 5 1/2"	4 1/2"	12/12 Left Side App.	—	
MLD320-RP10 Classic Dentil			1 5/8"	5 3/4"	1 1/8"	8'	4 1/2"	10/12	—	MLD320 (Page 15 ML)
MLD320-RP12 Dentil Right Pitch			1 5/8"	5 3/4"	1 1/8"	12' 5 1/2"	4 1/2"	12/12 Right Side App.	—	

CHART CONTINUED ON FOLLOWING PAGE.

Indicates Woodgrain/Stainable Products

IMPORTANT: A urethane base adhesive such as PL Premium Adhesive must be used on all joints. See page 6 to order PL Premium Adhesive. For more information, refer to comparison chart on page 7.

Moulding (continued)

UNATTACHED ACCESSORIES

Part Number	Image	Diagram	DIMENSIONS						Dentil Block	Moulding Match
			Projection	Width	Tooth and Space	Length	Design Repeat	Pitch		
MLD330-12 Dentil Fascia			1 5/8"	7"	2"	12'	4"	—	DTLB8X6X6 (Page 20 DM)	Left Pitch Application MLD330-LP10 Right Pitch Application MLD330-RP10 (Page 16 ML)
MLD330-LP10 Dentil Fascia Left Side Pitched Application			1 5/8"	5 7/16"	1 1/2"	12'	3"	10/12 Left Side App.	—	MLD330-12 (Page 16 ML)
MLD330-RP10 Dentil Fascia Right Side Pitched Application			1 5/8"	5 7/16"	1 1/2"	12'	3"	10/12 Right Side App.	—	MLD330-12 (Page 16 ML)
MLD331-16 Dentil Fascia			1 5/8"	9 1/2"	2 1/4"	16' 1 1/2"	4 1/2"	—	—	—
MLD332-8 Dentil Fascia			1 5/8"	5"	2"	8'	4"	—	DTLB6X4X6 (Page 19 DM)	—
MLD333-12 Dentil Fascia			1 3/16"	11 1/2"	2 3/4"	12' 4 1/2"	5 1/2"	—	—	—
MLD334-12 Dentil Fascia			4"	15"	9" Tooth/ 12" Space	12' 4"	21"	—	—	—

CHART CONTINUED ON FOLLOWING PAGE.

Indicates Woodgrain/Stainable Products

IMPORTANT: A urethane base adhesive such as PL Premium Adhesive must be used on all joints. See page 6 to order PL Premium Adhesive. For more information, refer to comparison chart on page 7.

Moulding (continued)

**UNATTACHED
ACCESSORIES**

Part Number	Image	Diagram	DIMENSIONS					See Decorative Millwork Section/Catalog	Dentil Block	Moulding Match
			Projection	Width	Tooth and Space	Length	Design Repeat			
MLD335-12 Classic Dentil			3 3/8"	6 1/8"	3 11/16" Tooth/ 3 9/16" Space	12'	7 1/4"	—	—	—
MLD336-16 Dentil Fascia			3 1/8"	9 3/8"	2 1/2" Tooth/ 2 1/2" Space	16'	5"	—	—	—
MLD337-16 Dentil Fascia			2 3/8"	4 7/8"	4" Tooth/ 4" Space	16'	7 7/8"	—	—	—
MLD350-8 Dentil Block			7/8"	3 1/2"	2 3/16" Tooth/ 1 1/2" Space	8' 3/4"	3 11/16"	—	—	—
MLD351-8 Dentil Block			1 1/4"	3 1/4"	3 1/2" Tooth/ 3 1/4" Space	8' 2"	7"	—	—	MLD351-LP10 MLD351-RP10 (Pages 17 ML)
MLD351-LP10 Dentil Block Left Side Pitched Application			1 1/4"	3 1/4"	3 1/2" Tooth/ 3 1/2" Space	8' 4 1/4"	7"	10/12 Left Side App.	—	MLD351-8 (Page 17 ML)
MLD351-LP12 Dentil Block Left Side Pitched Application			1 1/4"	3 1/4"	3 1/2" Tooth/ 3 1/2" Space	8' 4"	7"	12/12 Left Side App.	—	—

CHART CONTINUED ON FOLLOWING PAGE.

Indicates Woodgrain/Stainable Products

IMPORTANT: A urethane base adhesive such as PL Premium Adhesive must be used on all joints. See page 6 to order PL Premium Adhesive. For more information, refer to comparison chart on page 7.

Moulding (continued)

UNATTACHED ACCESSORIES

Part Number	Image	Diagram	DIMENSIONS						See Decorative Millwork Section/Catalog	Dentil Block	Moulding Match
			Projection	Width	Tooth and Space	Length	Design Repeat	Pitch			
MLD351-RP10 Dentil Block Right Side Pitched Application			1 1/4"	3 1/4"	3 1/2"	8' 4 1/4"	7"	10/12 Right Side App.	—		
MLD351-RP12 Dentil Block Right Side Pitched Application			1 1/4"	3 1/4"	3 1/2"	8' 4"	7"	12/12 Right Side App.	—	MLD351-8 (Page 17 ML)	
MLD352-8 Dentil Block			2"	3 1/2"	2 3/16" Tooth/ 1 1/2" Space	8' 3 3/4"	NONE	—	—	—	
MLD353-8 Dentil Block			1 1/4"	4 7/16"	4 3/8"	8' 1/4"	8 3/4"	—	—	—	
MLD354-12 Dentil			1"	3 1/6"	1 5/8"	12' 2 1/4"	3 1/4"	—	DTLB3X3X3 (Page 15 DM)	—	
MLD355-8 Dentil Moulding			5/8"	2 1/2"	1 3/8" Tooth/ 3/4" Space	8'	2 1/8"	NONE	—	—	
MLD356-12 Dentil Moulding			1 3/8"	1 3/4"	1 1/4" Tooth/ 1 1/8" Space	12'	2 3/8"	NONE	—	—	

CHART CONTINUED ON FOLLOWING PAGE.

IMPORTANT: A urethane base adhesive such as PL Premium Adhesive must be used on all joints. See page 6 to order PL Premium Adhesive. For more information, refer to comparison chart on page 7.

Moulding (continued)

**UNATTACHED
ACCESSORIES**

Part Number	Image	Diagram	DIMENSIONS					See Decorative Millwork Section/Catalog		
			Projection	Width	Tooth and Space	Length	Design Repeat	Pitch	Dentil Block	Moulding Match
MLD360-8 Beveled Dentil Block			3 1/2"	3 3/4"	3 3/4" Tooth/ 4 1/4" Space	8'	8"	—	—	—
MLD361-12 Combination Cove			10 1/4"	17 3/8"	—	12'	NONE	—	—	—
MLD362-16 Dentil			4 3/4"	8 3/8"	2 1/2" Tooth/ 2" Space	16'	4 1/2"	—	—	—
MLD364-12 Crown Fascia			8 1/16"	11 5/16"	—	12'	NONE	—	—	—
MLD365-16			5"	5"	2 1/4"	16'	4 1/2"	NONE	—	—
MLD370-8 Dentil Block Soffit			6 1/2"	7 1/2"	4 3/4" Tooth/ 14 1/2" Space	8'	19"	—	—	—
MLD371-16 Crown Fascia			6 1/2"	11"	—	16'	NONE	—	—	—

CHART CONTINUED ON FOLLOWING PAGE.

Indicates Woodgrain/Stainable Products